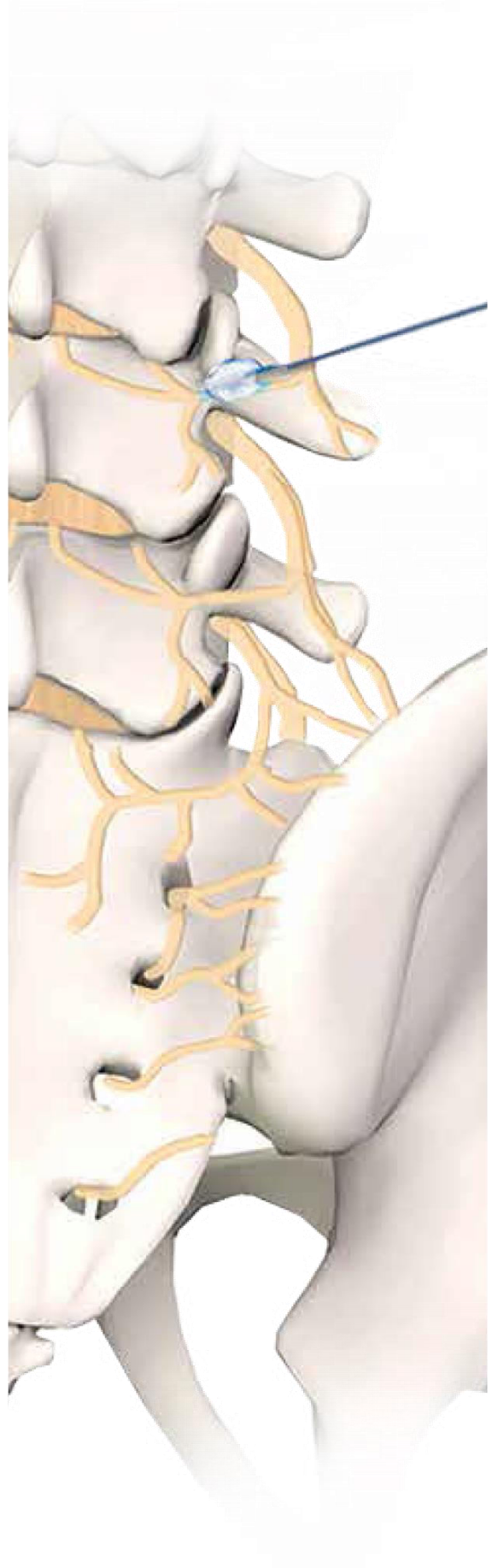
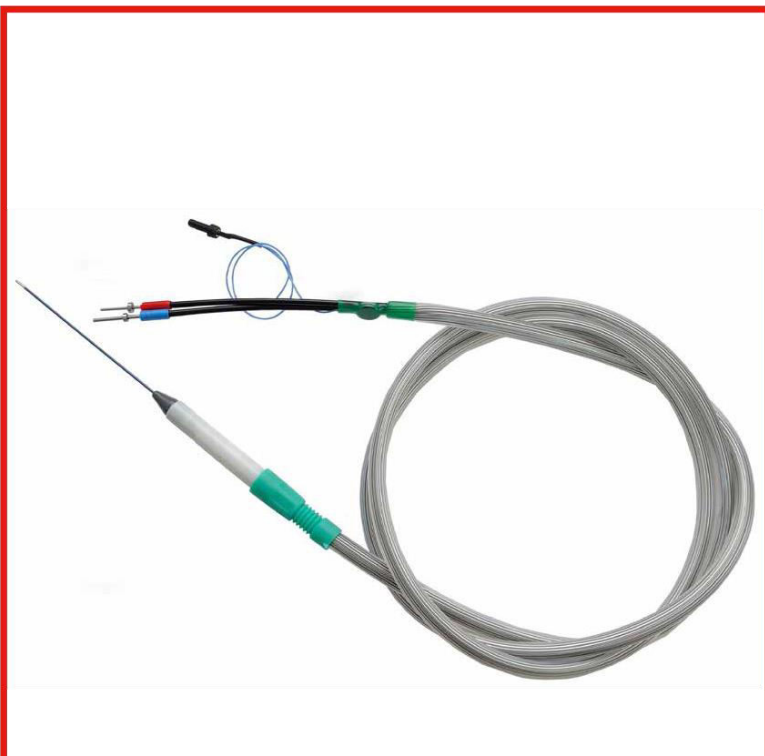


For CRYO-S Painless

CRYOPROBES CATALOGUE

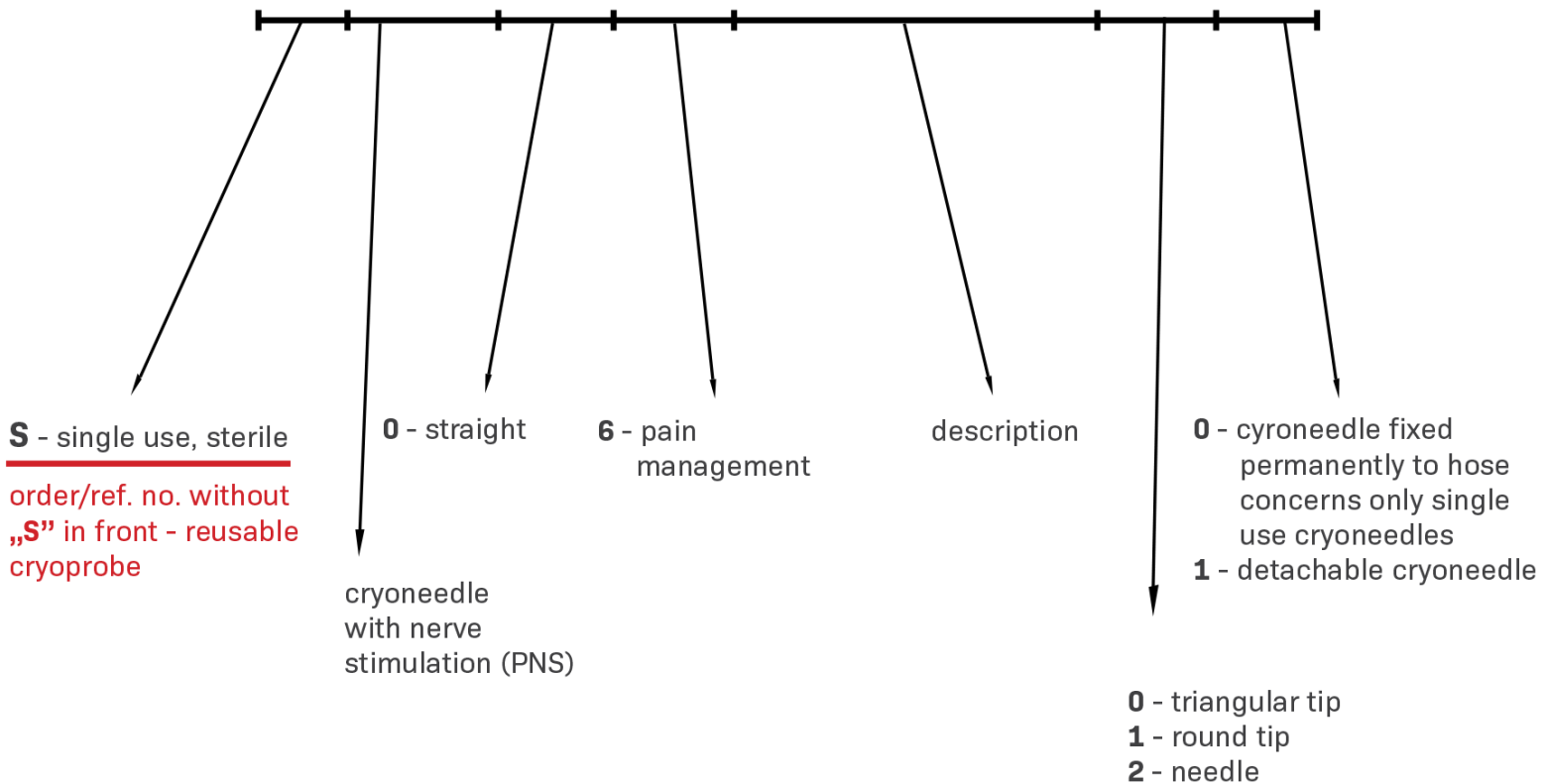
- Cryoanalgesia - Pain Management



how to identify the cryoneedle?

order/ref. no.

S N 0 6 1 3 1 2 0 0



In care for highest quality of offered products and services, METRUM CRYOFLEX reserves the right to modify products and introduce changes in descriptions.

Standard accessories	Qty
2-button footswitch with a cable	1
Cylinder-unit pneumatic hose	2
Flat wrench (N ₂ O and CO ₂ connector)	1
Operating manual	1
Electric power cord	1
N ₂ O and CO ₂ cylinder connectors	2
Spare seals and seal cones	set
Spare fuse	2
Unit packaging	1
Socket caps (gas supply, cryoprobe)	2
Screw-in cryoprobe pantograph	1
Passive single use electrodes (sterile)	set
Passive neurostimulation cable	1
Hose for detachable cryoprobe	1



CRYO-S Painless

without trolley

order/ref. no. **CSEP**

with trolley

order/ref. no. **CSEPT**

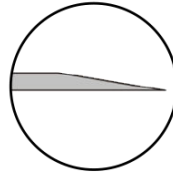
Accessories and spare parts	Ref. / Order No.
Trolley	TRCSE
Single use cryoprobe adaptor	SJA



Reusable cryoneedles (straight)

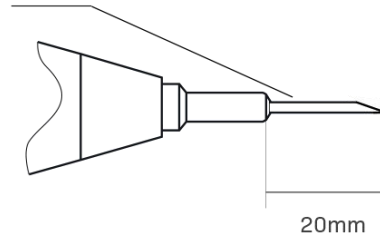
type: A-08/20/N/RF

Microcryoneedle for cryoanalgesia, e.g. supraorbital, infraorbital, intraoral, mental, ariculotemporal, occipital nerve (20mm)



needle tip

Ø 0.8mm (21GA)

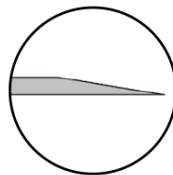


**detachable, needle tip,
neurostimulation**

order/ref. no. **N 0 6 0802 2 1**

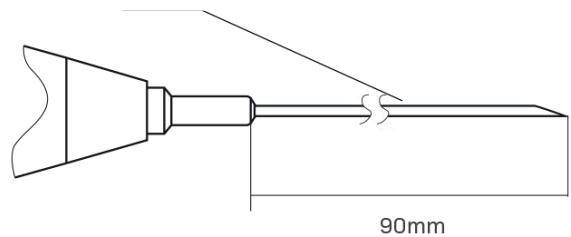
type: A-08/90/N/RF

Microcryoneedle for cryoanalgesia, e.g. supraorbital, infraorbital, intraoral, mental, ariculotemporal, occipital nerve (90mm)



needle tip

Ø 0.8mm (21GA)

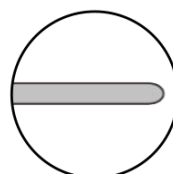


**detachable, needle tip,
neurostimulation**

order/ref. no. **N 0 6 0809 2 1**

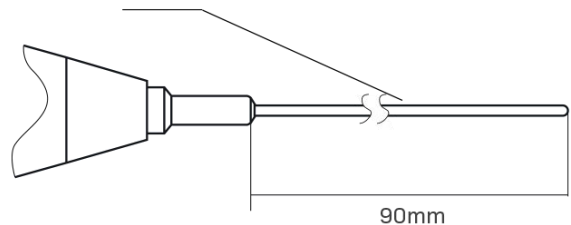
type: A-08/90/R/RF

Microcryoneedle for cryoanalgesia, e.g. supraorbital, infraorbital, intraoral, mental, ariculotemporal, occipital nerve (90mm)



round tip

Ø 0.8mm (21GA)



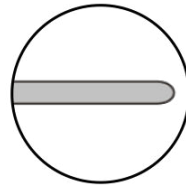
**detachable, round tip,
neurostimulation**

order/ref. no. **N 0 6 0809 1 1**

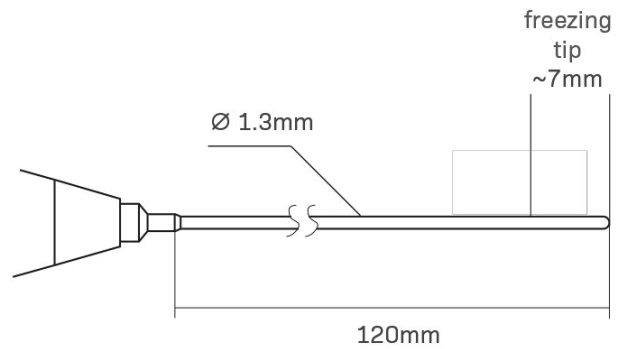
Reusable cryoneedles (straight)

type: A-13/120/R/RF

facet joints in cervical spine, cryoanalgesia of peripheral nerves



round tip

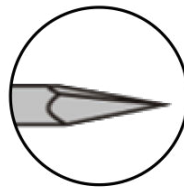


**detachable, round tip,
neurostimulation**

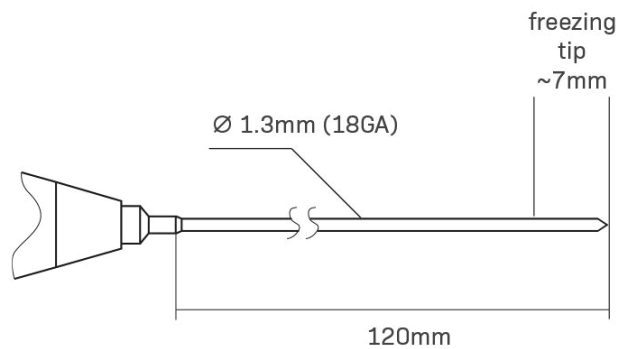
order/ref. no. **N 0 6 1312 1 1**

type: A-13/120/T/RF

facet joints in cervical spine, cryoanalgesia of peripheral nerves



triangular

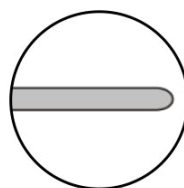


**detachable, triangular tip,
neurostimulation**

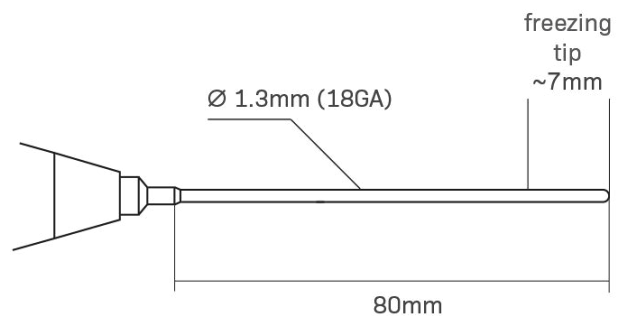
order/ref. no. **N 0 6 1312 0 1**

type: A-13/80/R/RF

facet joints in cervical spine, cryoanalgesia of peripheral nerves



round tip



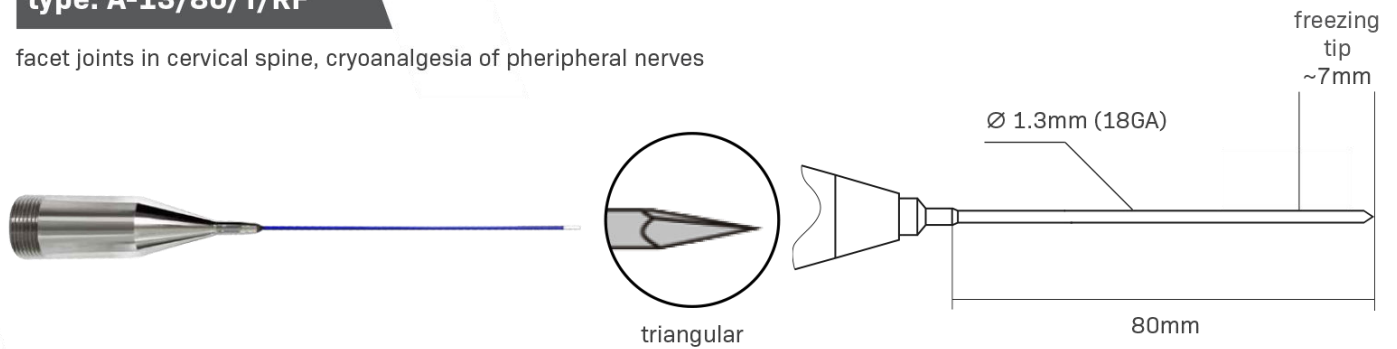
**detachable, round tip,
neurostimulation**

order/ref. no. **N 0 6 1308 1 1**

Reusable cryoneedles (straight)

type: A-13/80/T/RF

facet joints in cervical spine, cryoanalgesia of peripheral nerves

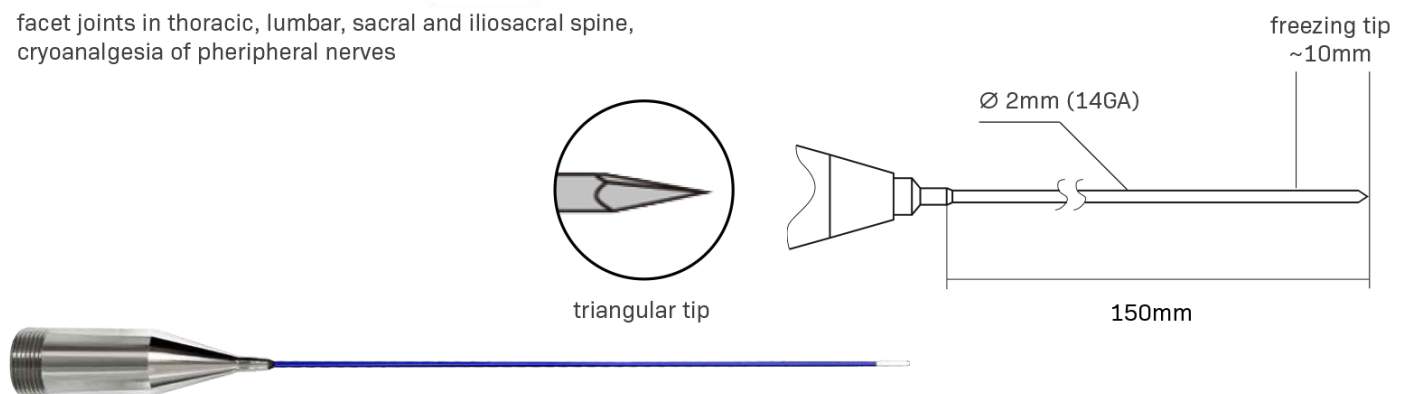


**detachable, triangular tip,
neurostimulation**

order/ref. no. **N 0 6 1308 0 1**

type: G-30/2/RF

facet joints in thoracic, lumbar, sacral and iliosacral spine,
cryoanalgesia of peripheral nerves



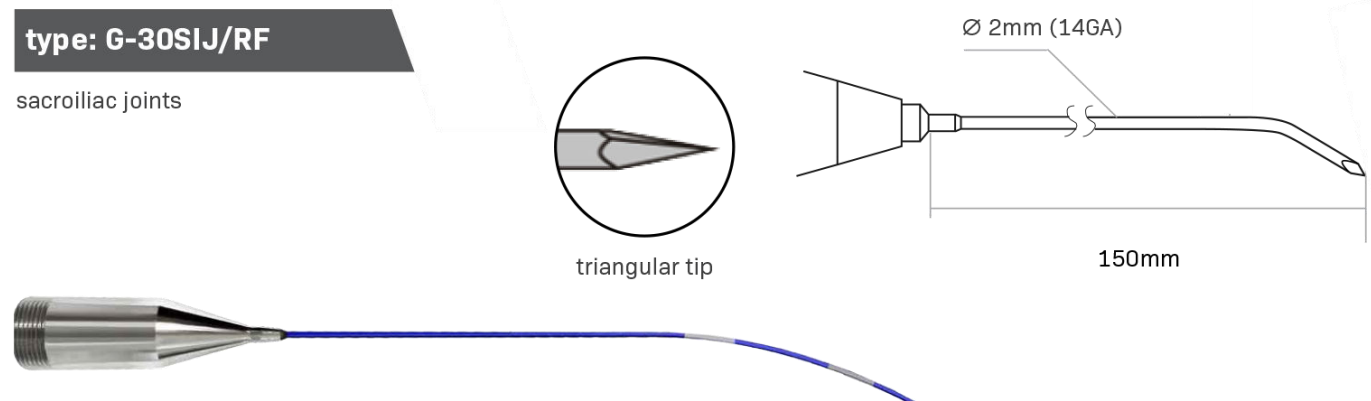
**detachable, triangular tip,
neurostimulation**

order/ref. no. **N 0 6 3002 0 1**

Reusable cryoneedles (SIJ)

type: G-30SIJ/RF

sacroiliac joints



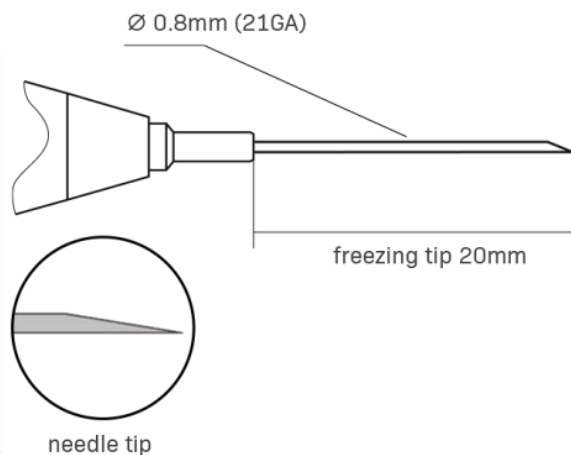
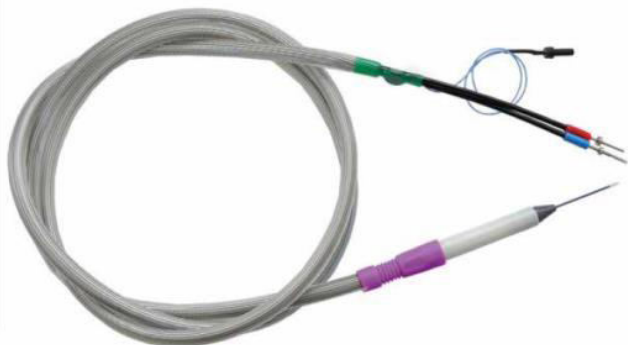
**detachable, triangular tip,
neurostimulation**

order/ref. no. **N 0 6 3022 0 1**

Single use cryoneedles

type: A-08/20/N/RF

Microcryoneedle for cryoanalgesia, e.g. supraorbital, infraorbital, intraoral, mental, ariculotemporal, occipital nerve (20mm)

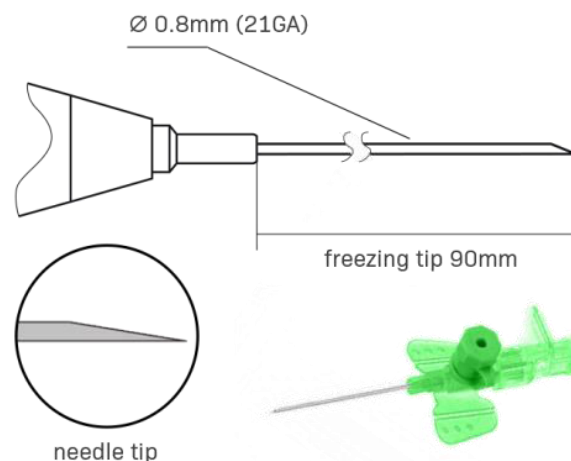
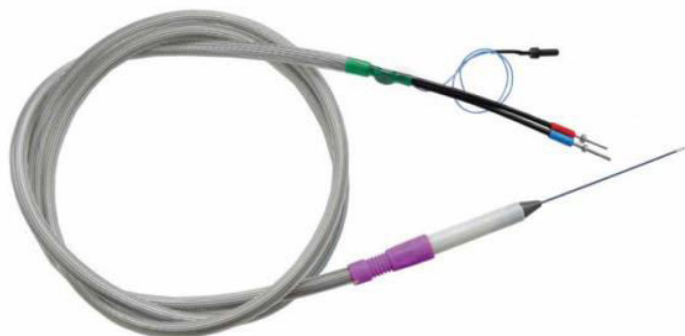


**fixed, needle tip,
neurostimulation**

order/ref. no. **S N 0 6 0802 2 0**

type: A-08/90/N/RF

Microcryoneedle for cryoanalgesia, e.g. supraorbital, infraorbital, intraoral, mental, ariculotemporal, occipital nerve (90mm)

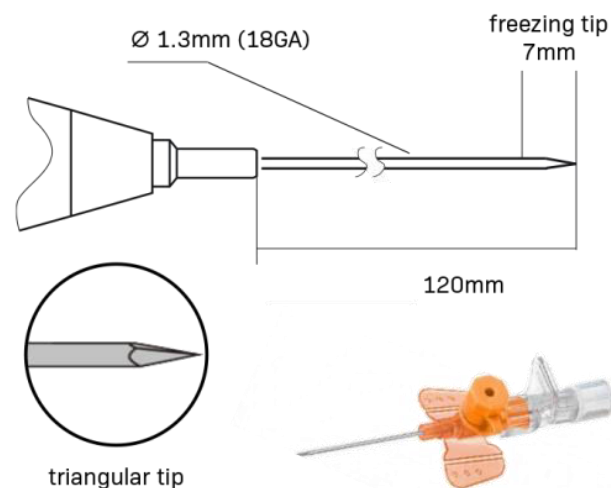
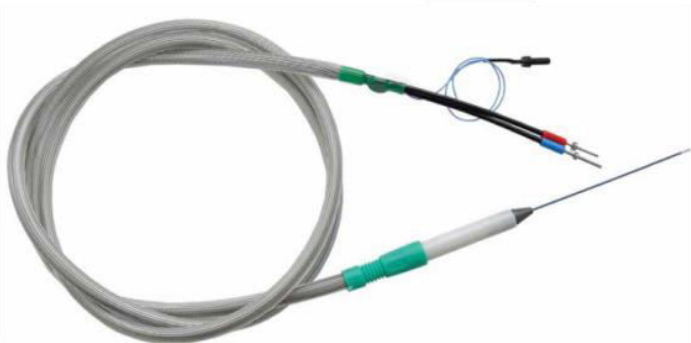


**fixed, needle tip,
neurostimulation**

order/ref. no. **S N 0 6 0809 2 0**

type: A-13/120/T/RF

facet joints in cervical spine, cryoanalgesia of peripheral nerves



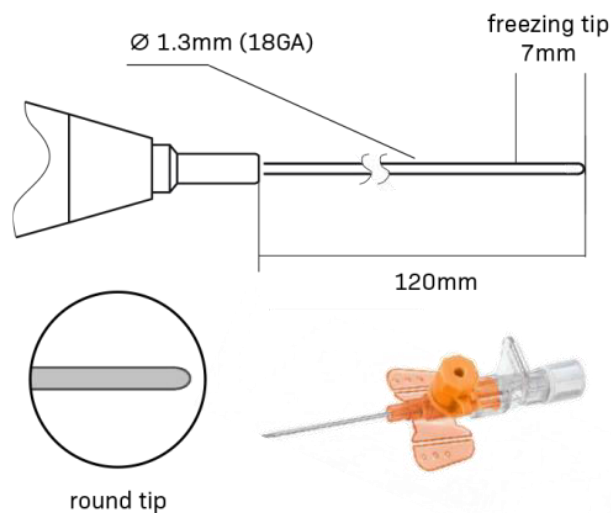
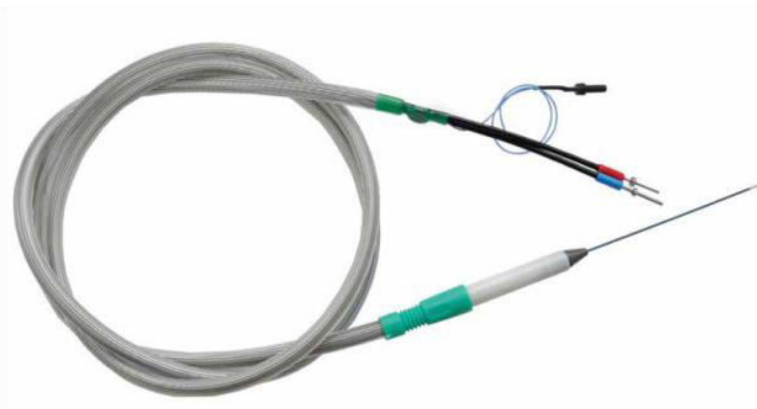
**fixed, triangular tip,
neurostimulation**

order/ref. no. **S N 0 6 1312 0 0**

Single use cryoneedles

type: A-13/120/R/RF

facet joints in cervical spine, cryoanalgesia of peripheral nerves

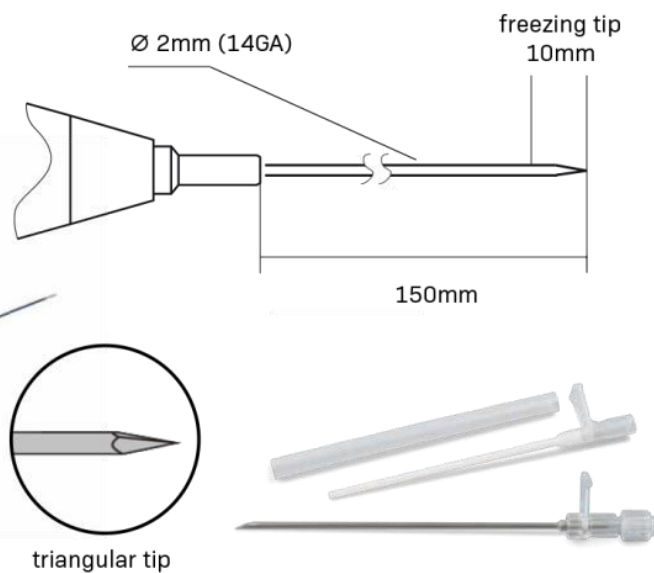
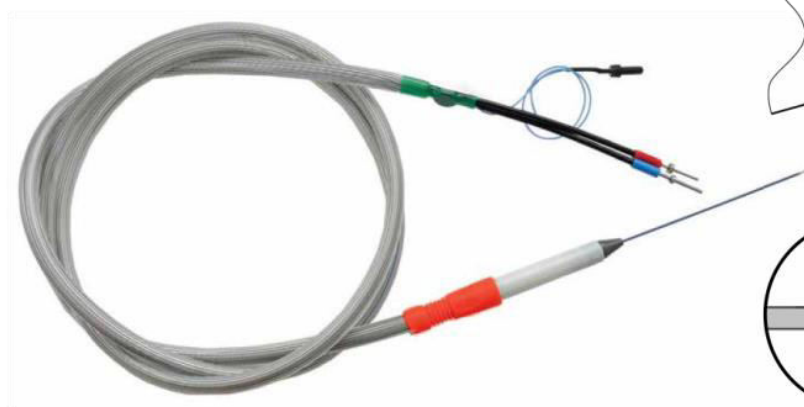


**fixed, round tip,
neurostimulation**

order/ref. no. **S N 0 6 1312 1 0**

type: G-30/2/RF

facet joints in thoracic, lumbar, sacral and iliosacral spine,



**fixed, triangular tip,
neurostimulation**

order/ref. no. **S N 0 6 3002 0 0**

STERILE

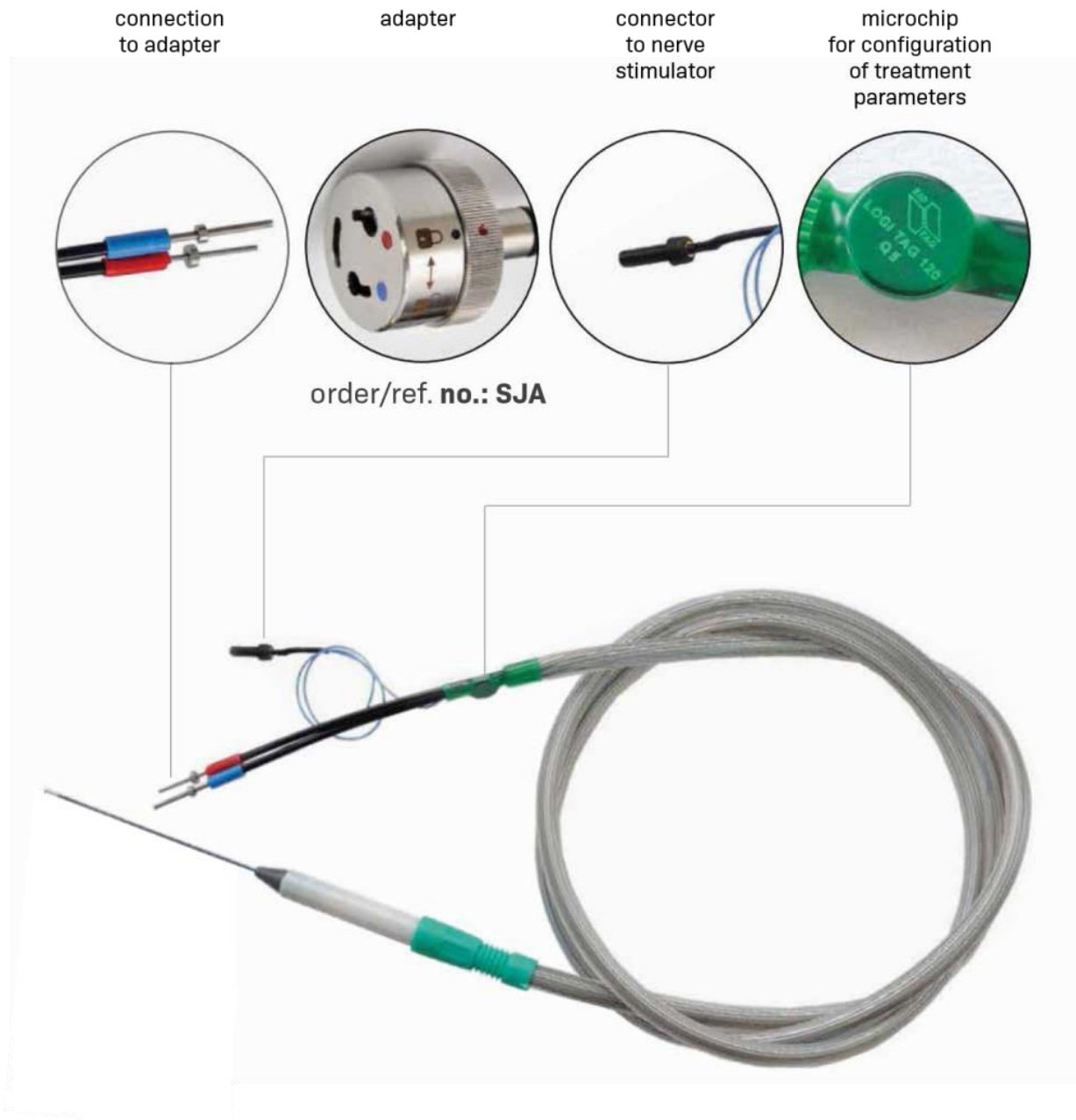
EO

LOT



3 YEARS

Single use cryoneedles



Reusable cryoneedle

Each reusable cryoneedle is provided with own RFID which is installed in black cup. RFID provides information regarding cryoneedle type, its optimum working parameters and number of procedures which can be performed with this particular probe.





TYCOON SWISS MEDICAL SA
Via San Salvatore n°10 CH-6902 Paradiso
Telefono: +41 91 993 0504
E-mail: info@tycoonsm.com
www.tycoonsm.com

METRUM CRYOFLEX

Manufacture

ul. Zielna 29
05-082 Blizne Łaszczyńskiego
POLAND, EU

Headoffice

ul. Kolejowa 16A
05-092 Łomianki
POLAND, EU

Tel: +48 22 33 13 750
+48 22 33 13 830
Fax: +48 22 33 13 766

export@metrum.com.pl
www.metrum.com.pl